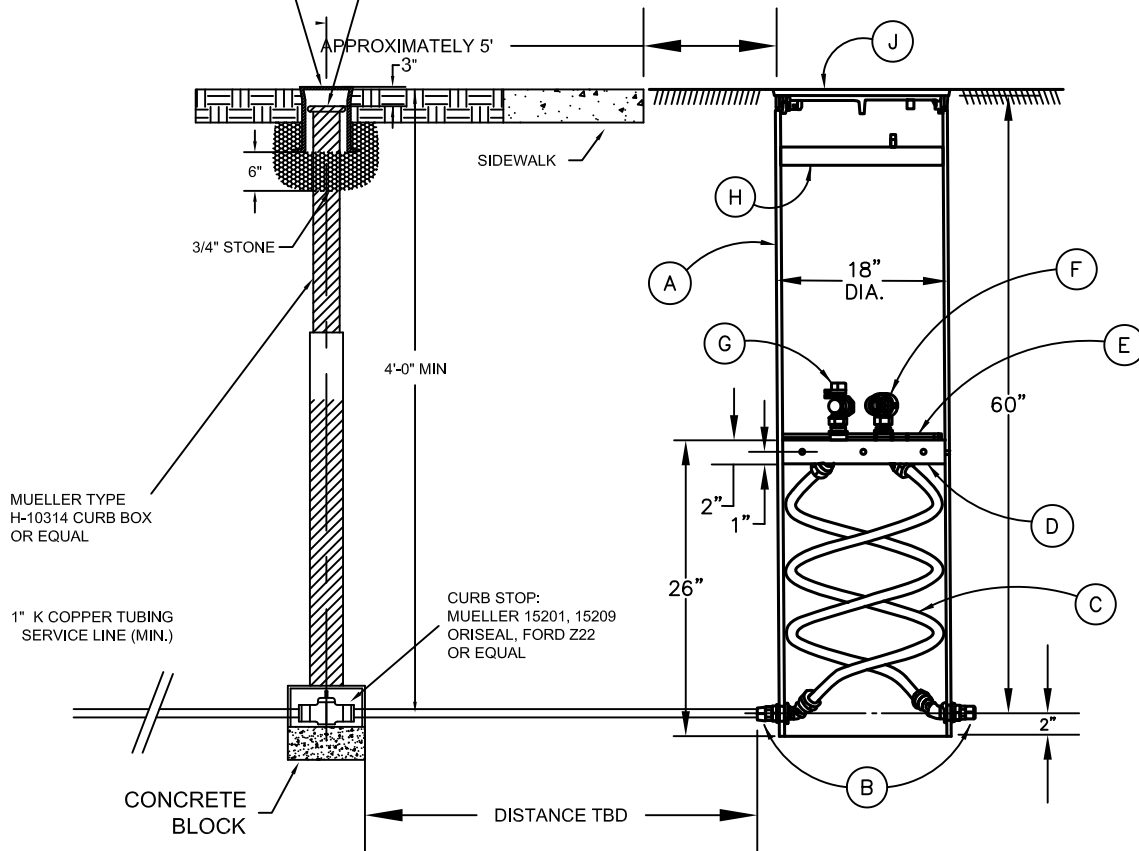


VALVE BOX: BINGHAM & TAYLOR MODEL 4908. TOP SECTION AND COVER: BINGHAM & TAYLOR MODEL 54-S OR EQUAL MARKED "WATER."

CURB BOX MUST BE LOCATED IN PLANTER AREA BETWEEN SIDEWALK AND CURB. CURB BOX IS NOT PERMITTED IN DRIVEWAY OR SIDEWALK. NOTE: SHOULD NO CURBING EXIST, A 2'x2'x6" CONCRETE COLLAR SHALL BE CONSTRUCTED.



ITEM	DESCRIPTION	CATALOG NUMBERS AND SIZES	
		FOR 5/8" METER	FOR 1" METER
A	COIL PITSETTER METER PIT	PFCBHH-188-18-60-FP-NL	PFCBHHCR-488-18-60-FP-NL
B	MIP INLET AND OUTLET	3/4"	1"
C	COIL TUBING	3/4"	1"
D	LOWER MOUNTING BRACKET	(INCLUDED IN ITEM "A")	
E	MOUNTING PLATE	(INCLUDED IN ITEM "A")	
F	ANGLE DUAL CHECK VALVE	(INCLUDED IN ITEM "A")	
G	ANGLE BALL VALVE	(INCLUDED IN ITEM "A")	
H	INSULATING DISK (4" THICK)	CCID-18-4	
J	PIT COVER W/ERT BRACKET	PPSC-18-L-P-BR	

**NOTES:**

- METER PIT AND YOKE NEED NOT BE A PRE-ASSEMBLED UNIT AS DEPICTED. THE ABOVE ITEMS SHALL BE AS MANUFACTURED BY THE FORD METER BOX COMPANY OR EQUAL AS DETERMINED BY THE AUTHORITY.
- OWNER IS RESPONSIBLE TO VERIFY COMPATIBILITY AND ALL CATALOG NUMBERS PRIOR TO ORDERING MATERIAL.
- OWNER IS RESPONSIBLE FOR ALL FITTINGS REQUIRED TO CONNECT SERVICE LINES TO LOWER FITTINGS.



Title **WATER SERVICE CONNECTION**

**JACKSON TOWNSHIP  
MUNICIPAL UTILITIES AUTHORITY**

135 Manhattan St., Jackson, NJ 08527 732-928-2222 www.jacksonmua.com

DRAWING No.	Date	Revised By
03	Dec 14, 2023	EDIT TO NOTE 1
02	May 24, 2018	NEW TITLE BLOCK AND NOTES
01	April 2011	
No.	Date	REVISION
Date	FEB 2003	Scale N.T.S. Revised By