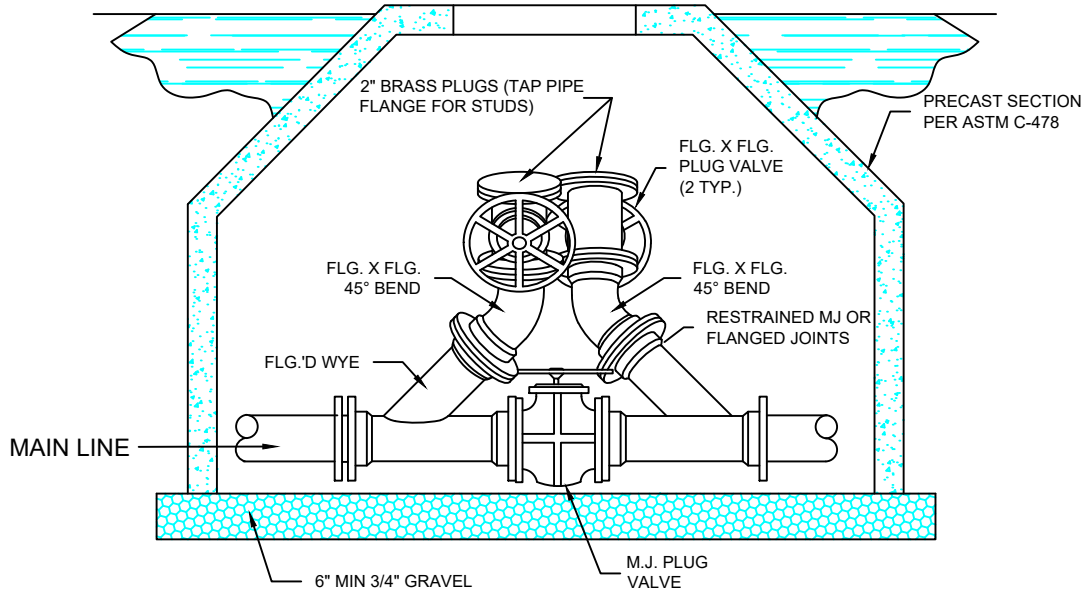


PLAN VIEW



SECTION VIEW



Title **FORCE MAIN CLEANOUT MANHOLE**

**JACKSON TOWNSHIP
MUNICIPAL UTILITIES AUTHORITY**

135 Manhattan St., Jackson, NJ 08527 732-928-2222 www.jacksonmua.com

DRAWING No.

03

May 17, 2018

NEW TITLE BLOCK

02

April 2011

01

March 2010

No.

Date

REVISION

Date

FEB 2003

Scale

N.T.S.

Revised By

JSD