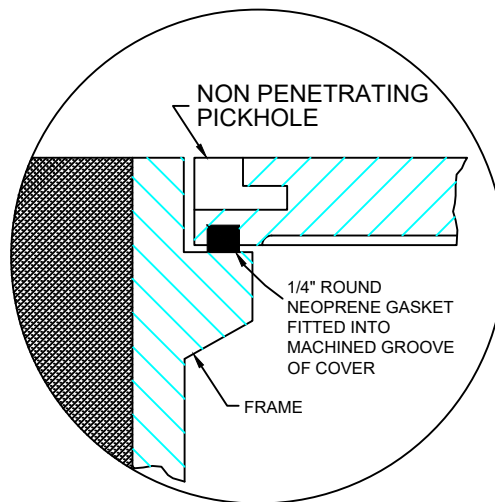
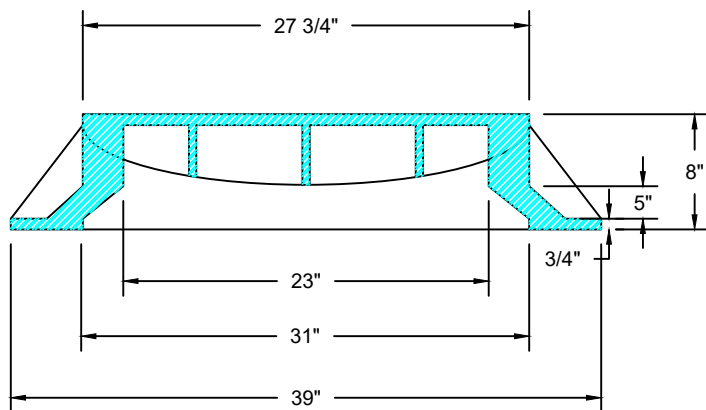


PLAN VIEW



**"FLOW-SEAL" MANHOLE COVER**  
**(NOT BOLTED)**

ALL MANHOLE FRAMES TO BE  
CAMPBELL FOUNDRY NO. 1202B  
OR APPROVED EQUAL.



SECTION VIEW



Title	STANDARD MANHOLE FRAME AND LID	
<b>JACKSON TOWNSHIP MUNICIPAL UTILITIES AUTHORITY</b>		
135 Manhattan St., Jackson, NJ 08527 732-928-2222 www.jacksonmua.com		

DRAWING No.	03		
	02	May 31, 2018	NEW TITLE BLOCK
	01	March 2010	
No.	Date	REVISION	
Date	FEB 2003	Scale	N.T.S.
Revised By			<i>jsd</i>