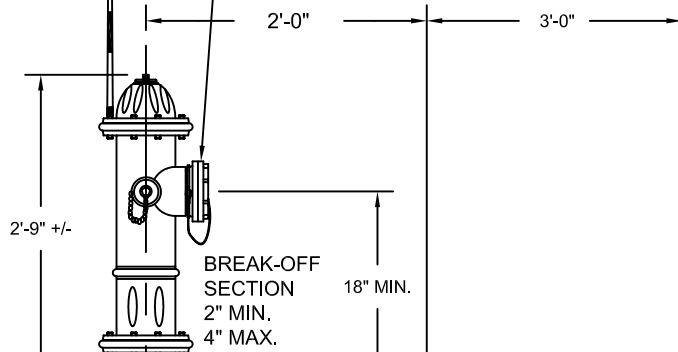


4' x 3/8" FIBERGLASS
MARKER WITH RED AND
WHITE REFLECTIVE
BANDING & STAINLESS
STEEL SPRING
HY-VIZ INC. OR EQUAL

HARRINGTON INTEGRAL
HYDRANT STORZ (HIHS) OR EQUAL



BUFFALO TYPE VALVE BOX
BINGHAM & TAYLOR MODEL
NO. 4908 2 PIECE, 5 1/4" SHAFT
LID MARKED "WATER"

FIRE HYDRANT WITH 2-2 1/2"
HOSE CONN. 1-4 1/2" PUMPER CONN.
MUELLER A-423 OR U.S. PIPE
"METROPOLITAN" WITH SAFETY
BREAKABLE SECTION,
5 1/4" VALVE OPENING.

ALL SURFACES OF THE
STONE MUST BE
PROTECTED BY
GEOTECH FILTER
FABRIC

8 C.F. STONE FOR
DRAIN. STONE TO BE
AT LEAST 6" ABOVE
DRAIN HOLES

HYDRANT VALVE ANCHORING TEE
W/INTEGRALLY CAST GLAND,
STANDARD M.J. ON 6" P.E. BRANCH.

6" M.J. GATE VALVE
MUELLER A-2360

THRUST
BLOCK

MEGALUGS IN PLACE OF
TIE RODS (TYP.)

MAIN

THRUST BLOCK

CONCRETE BLOCK (TYP.)

N.T.S.

FIRE HYDRANT DETAIL

JACKSON TOWNSHIP M.U.A.

NO.	DATE REVISED
5	
4	
3	
2	APRIL 2011
1	MARCH 2010
DRAWN FEB 2003	
SHEET	6 OF 20

