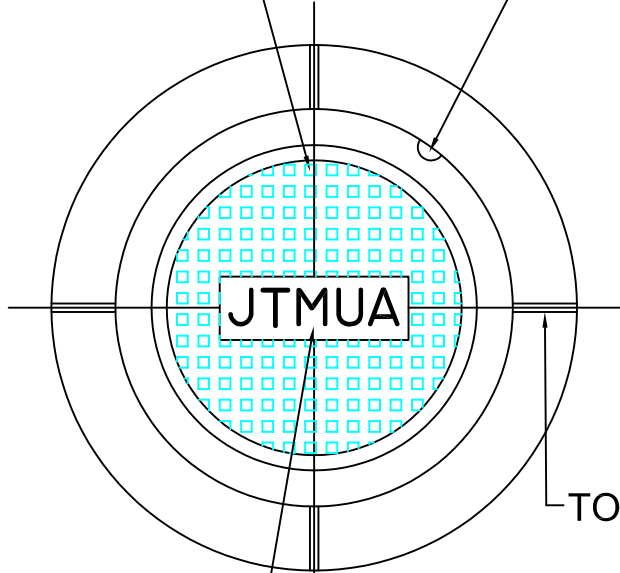
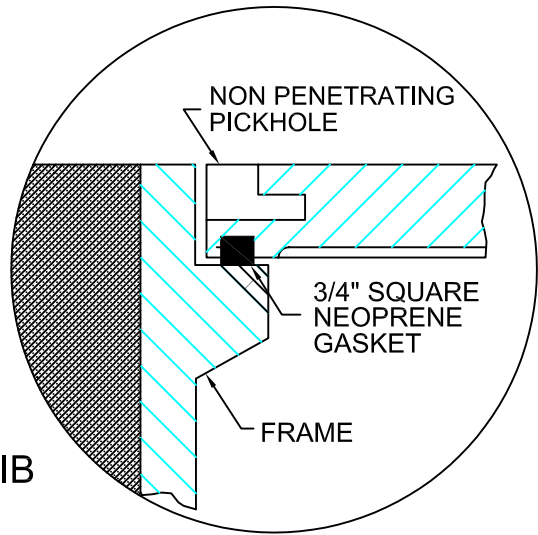


NON-SKID LUGS PICK HOLE



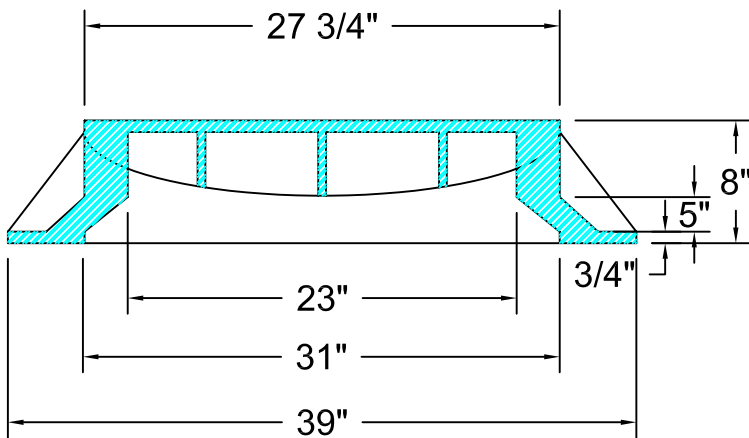
JTMUA TO BE 1 1/2"

PLAN VIEW



"FLOW-SEAL" MANHOLE COVER

ALL MANHOLE FRAMES TO BE CAMPBELL FOUNDRY NO. 1202 B OR APPROVED EQUAL UNLESS SPECIFICALLY NOTED OTHERWISE



SECTION VIEW

N.T.S.

MANHOLE FRAME AND LID

JACKSON TOWNSHIP M.U.A.

NO.	DATE REVISED
5	
4	
3	
2	
1	MARCH 2010
	DRAWN FEB 2003
SHEET	15 OF 20

