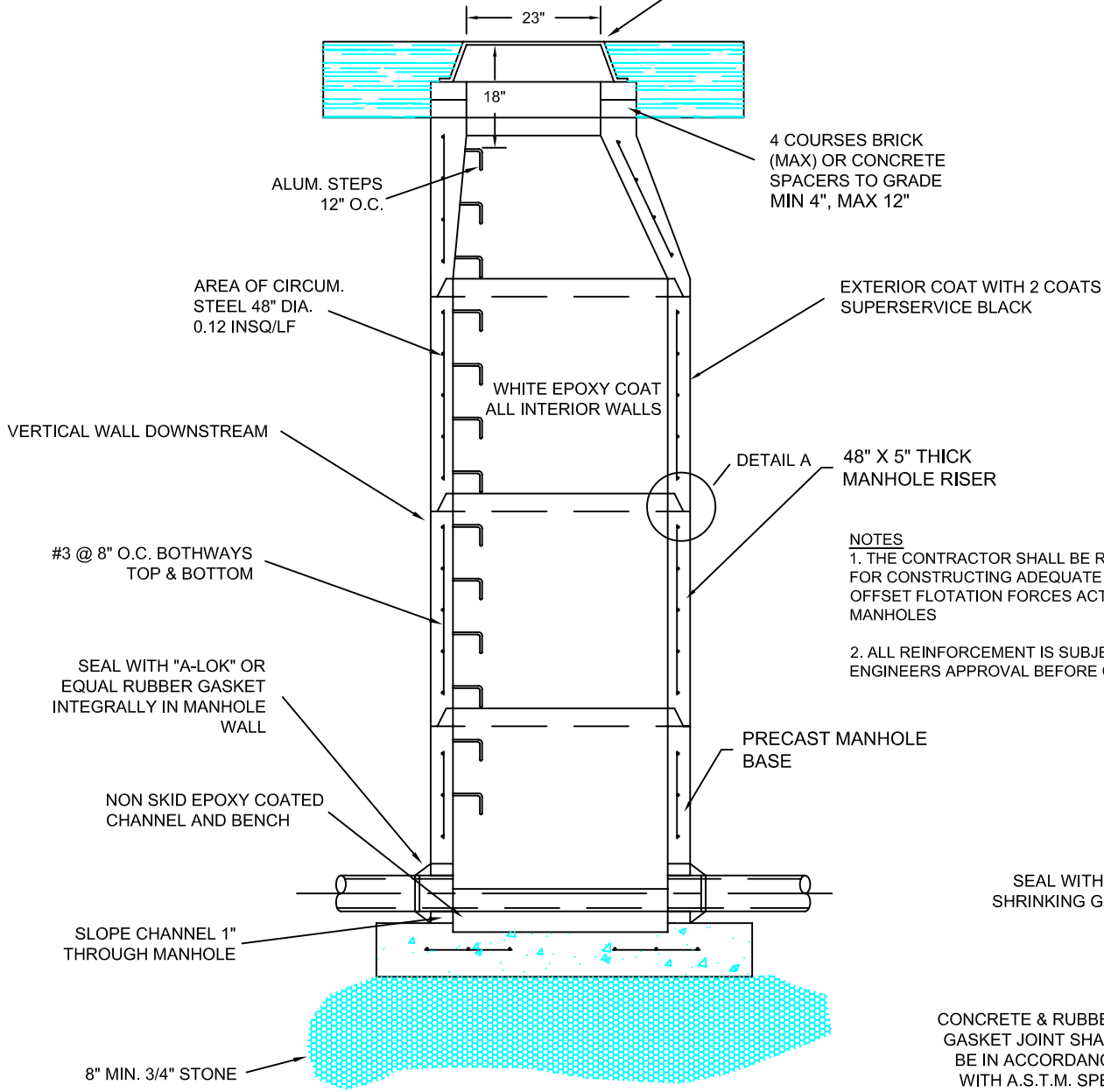
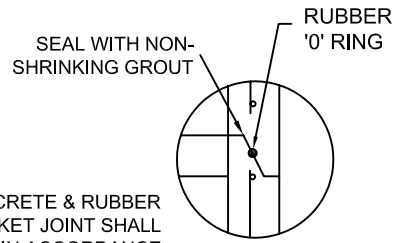


MANHOLE FRAME AND FLOW SEAL COVER TO BE CAMPBELL FOUNDRY PART NO. 1202 OR APPROVED EQUAL WITH JTMUA CAST IN LID. FRAME SHALL BE LOCKED IN PLACE & WATERPROOFED BY MORTAR



- NOTES**
1. THE CONTRACTOR SHALL BE RESPONSIBLE FOR CONSTRUCTING ADEQUATE BALLASTS TO OFFSET FLOTATION FORCES ACTING ON MANHOLES
 2. ALL REINFORCEMENT IS SUBJECT TO ENGINEERS APPROVAL BEFORE CONSTRUCTION



CONCRETE & RUBBER GASKET JOINT SHALL BE IN ACCORDANCE WITH A.S.T.M. SPEC C-361 & C-443 & BE WATERTIGHT AT HEAD PRESSURES UP TO 50'

DETAIL A

N.T.S.

STANDARD MANHOLE

JACKSON TOWNSHIP M.U.A.

NO.	DATE REVISED
5	
4	
3	
2	
1	MARCH 2010
DRAWN FEB 2003	
SHEET	13 OF 20

